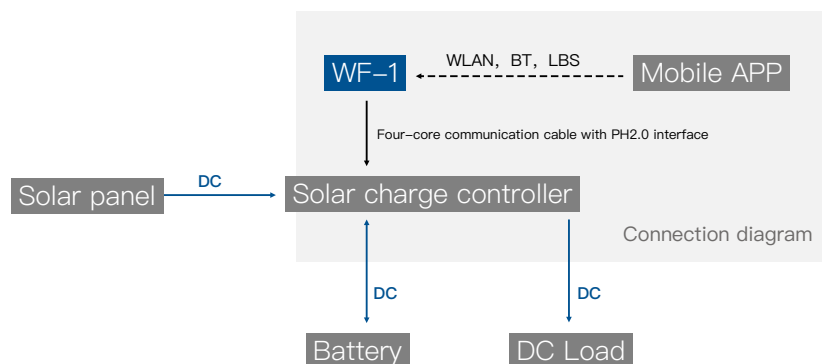


WF Series

WiFi adapter for extended communication

WF-1



Key features

- Supports monitoring of solar controllers, inverters, energy storage batteries, DC chargers.
- Adopt low-power Bluetooth and WiFi chips.
- Supports Wi-Fi 802.11b/g/n and BLE5.0 wireless standards.
- Supports Bluetooth SmartBLELink.
- Communication cable with its own communication power supply, can be plugged in and used shortly.

Connection steps

1、Connect the adapter

Connect the WiFi adapter to the communication port of the running controller using a four-conductor communication cable.

2、Download and install APP

Android phones: search for "Solar app" in "Google Play".

iPhones: search for "Solar app" in "APP Store".

3、Open APP

WLAN, bluetooth and location services need to be switched on.

4、Add device

Way 1: Search to add. Click "+" then select the target MAC address device.

Way 2: Scan the code to add. Use mobile app to scan the QR code of the device to add it.

5、Monitor device

In the "All Devices" or in the category corresponding to the product, you can view the list of added devices, and click it to monitor corresponding device.

6、View WIFI module

Click the ⓘ icon to view WIFI module status.

Model	WF-1
Main	
Input voltage	DC5-25V
Standby power consumption	0.3W
Operating power consumption	0.5W
Bluetooth communication distance	≤15m
Configuration mode	Bluetooth within APP
WiFi wireless standard	802.11 a/b/g/n, frequency range: 2.412GHz~2.472 GHz
Bluetooth wireless standard	802.15.1, frequency range: 2.402 GHz~2.480 GHz
Serial baud rate	9600bps
Communication mode	TTL
Interface type	PH2.0
Connection line	Four-core communication line with PH2.0 interface
General	
Dimension	66*51*15.5mm (0.22*0.17*0.05ft)
Installation dimension	57.8*12mm (0.19*0.04ft)
Mounting hole diameter	φ3.5
Operating temperature	-20°C~75°C (-4°F~167°F)
Protection grade	IP43
Net weight	120g (0.26lb)